

# Appendix M Wood Decks

(Entire section is a NC amended appendix)

## Section AM101

### General

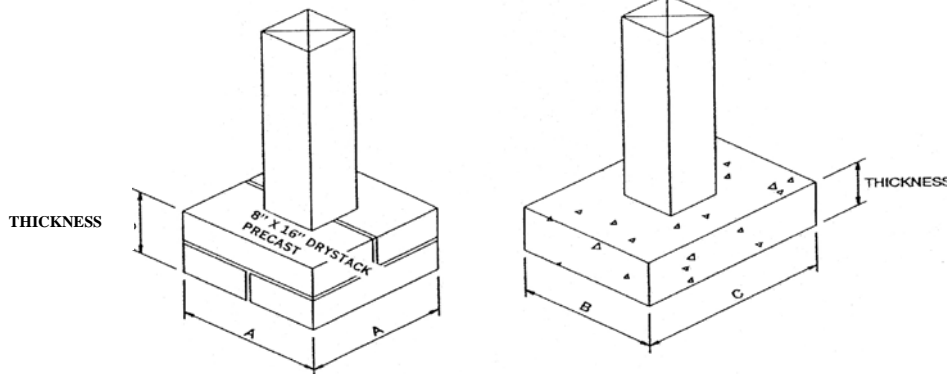
**AM101.1 General.** A deck is an exposed exterior wood floor structure which may be attached to the structure or freestanding. Roofed porches (open or screened-in) may be constructed using these provisions.

**AM101.2 Deck design.** Computer deck design programs may be accepted by the Code Enforcement Official.

## Section AM102

### Footers

**AM102.1 Footers.** Support post shall be supported by a minimum footing per Figure AM102 and Table AM102.1 Minimum footing depth shall be 12" below finished grade per R403.1.4. Tributary area is calculated per Figure AM102.1.



**Figure AM102**

**Table AM102.1**

Footing table <sup>a, b, c</sup>

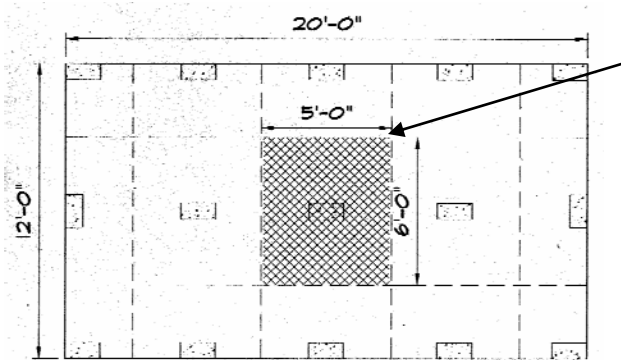
Size (inches)		Tributary Area	Thickness (inches)	
A x A	B x C	(Sq. Ft.)	Precast	Cast-in-place
8 x 16	8 x 16	36	4"	6"
12 x 12	12 x 12	40	4"	6"
16 x 16	16 x 16	70	8"	8"
----	16 x 24	100	--	8"
	24 x 24	150	--	8"

- a. Footing values are based on single floor and roof loads
- b. Support post must rest in center 1/3 of footer
- c. Top of footer shall be level for full bearing support of post

## Section AM103

### Flashing

**AM103.1 Flashing.** When attached to a structure, the structure to which attached shall have a treated wood band for the length of the deck, or corrosion-resistant flashing shall be used to prevent moisture from coming in contact with the untreated framing of the structure. Aluminum flashing shall not be used in conjunction with deck construction. The deck band and the structure band shall be constructed in contact with each other except on brick veneer structures and where plywood sheathing is required and properly flashed (when plywood is required, use pressure preservative treated plywood). Siding shall not be installed between the structure and the deck band. If attached to a brick structure, neither flashing nor a treated band for the brick structure is required. In addition, the treated deck band shall be constructed in contact with the brick veneer. Flashing shall be installed per Figure AM103.



Tributary area of shaded section on free standing deck shown is 5'x6'=30 sq. ft. Code will require a minimum footer of 8"x 16" per Table AM102.1

Figure AM102.1

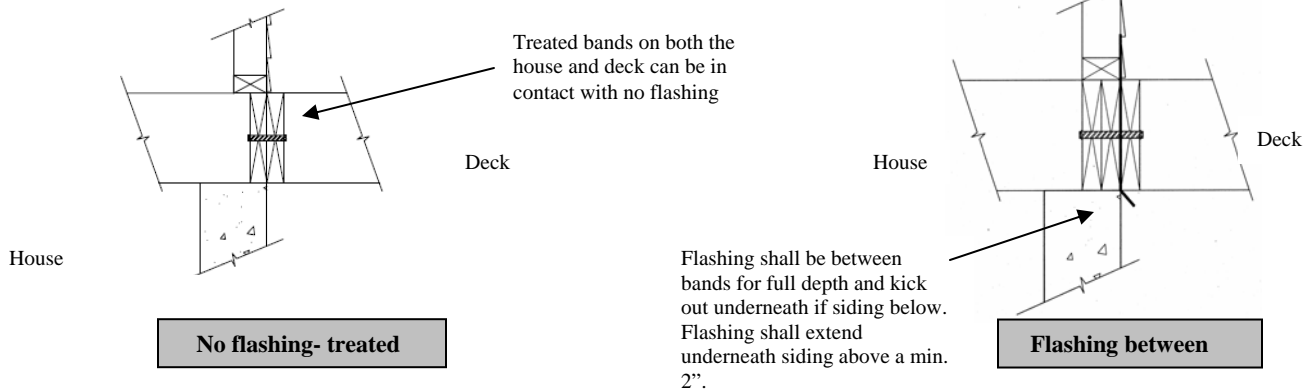


Figure AM103

**Section AM104  
Deck attachment**

**AM104.1 Deck Attachment.** When a deck is supported at the structure by attaching the deck to the structure, the following attachment schedules shall apply for attaching the deck band to the structure.

**AM104.1.1 All Structures Except  
Brick veneer Structures:**

Fasteners	8' Max Joist Span <sup>a</sup>	16' Max Joist Span <sup>a</sup>
5/8" Hot Dipped Galv. Bolts with nut and washer <sup>b</sup>	1 @ 3'-6" o.c.	1 @ 1'-8" o.c.
<b>and</b>	<b>and</b>	<b>and</b>
12d Common Hot Dipped Galv. Nails <sup>c</sup>	2 @ 8" o.c.	3 @ 6" o.c.

- a. Attachment interpolation between 8' & 16' joists span are allowed
- b. Minimum edge distance for bolts is 2 1/2 inches
- c. Nails must penetrate the supporting structure band a minimum of 1 1/2 inches

**AM104.1.2 Brick Veneer Structures**

Fasteners	8' Max Joist Span <sup>a</sup>	16' Max joist Span <sup>a</sup>
5/8" Hot Dipped Galv. Bolts with Nut and Washer <sup>b</sup>	1 @ 2'-4" o.c.	1 @ 1'-4" o.c.

- a. Attachment interpolation between 8' & 16' is allowed
- b. Minimum edge distance for bolts is 2 1/2 inches

**AM104.1.3 Masonry Ledge Support**

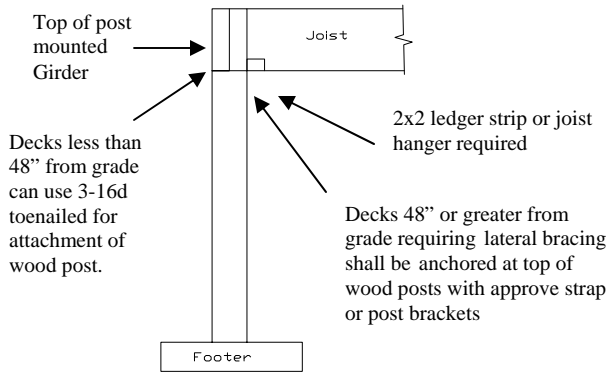
If the deck band is supported by a minimum of 1/2 inch masonry ledge along the foundation wall, 5/8 inch hot dipped galvanized bolts with washers spaced at 48 inches o.c. may be used for support.

**AM104.1.4 Other means of support**

Joist hangers or other means of attachment may be connected to house band and shall be properly flashed

## Section AM105

**AM105.1 Girder Support & Span.** Girders shall bear directly on support post with post attached at top to prevent lateral displacement or be connected to the side of posts with two 5/8 inch hot dipped galvanized bolts with nut and washer. Girder spans are per Table R502.5 (1&2). Girder support may be installed per Figure AM105 for top mount; Figure AM105.1 for side mount and Figure AM105.2 for split girder detail. Girders may also be cantilevered off ends of support post no more than 1 joist spacing or 16" whichever is greater per Figure AM105.3.



**Top mount/flush**

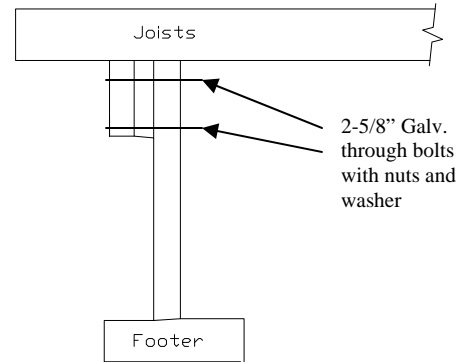
**Figure AM105**

## Section AM106

**M106.1 Joist Spans & Cantilevers.** Joists spans shall be based upon Table R502.3.1(2) with 40 lbs per sq. ft. live load and 10 lbs per sq. ft. dead load. Floor joists for exterior decks may be cantilevered per Table R502.3.3 (1).

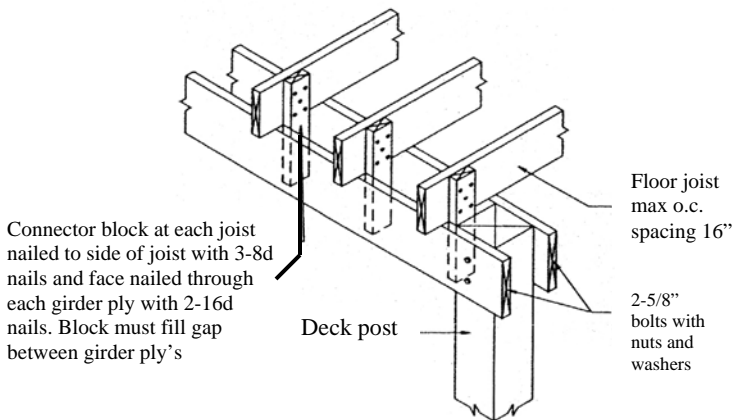
Spacing	2x6	2x8	2x10	2x12
12"	10-9	14-2	18-0	21-9
16"	9-9	12-10	16-1	18-10
19.2"	9-2	12-1	14-8	17-2
24"	8-6	11-0	13-1	15-5

Partial reprint of Table R502.3.1(2), #2 SYP only joist spans



**Side mount dropped girder**

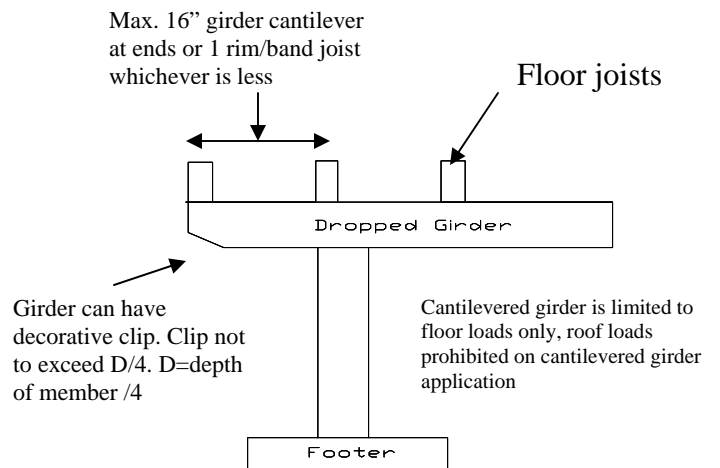
**Figure AM105.1**



Split girder limited to floor loads only and cantilever girder ends allowed per AM105.3

**Split girder detail**

**Figure AM105.2**



**Cantilevered dropped girder detail**

**Figure AM105.3**

## Section AM107

**AM107.1 Floor Decking.** Floor decking shall be No. 2 grade treated Southern Pine or equivalent. The minimum floor decking thickness shall be as follows:

Joist Spacing	Decking (nominal)
12" o.c.	1" S4S
16" o.c.	1" T&G
19.2 o.c.	1-1/4" S4S
24"-36" o.c.	2" S4S

## Section AM108

**AM108.1 Post height.** Maximum height of Deck support posts as follows:

Post size <sup>a</sup>	Max. Post Height <sup>b,c</sup>
4x4	8'-0"
6x6	20'-0"

- a. This table is based on No. 2 Southern Pine posts.  
 b. From top of footing to bottom of girder  
 c. Decks with post heights exceeding these requirements shall be designed by a registered design professional

## Section AM109

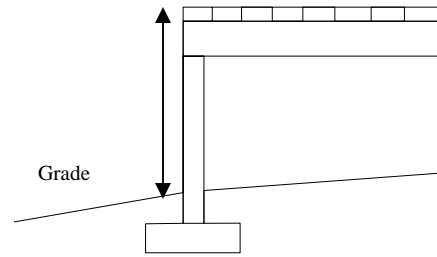
**AM109.1 Deck bracing.** Decks shall be braced to provide lateral stability. The following are acceptable means to provide lateral stability.

**AM109.1.1.** When the deck floor height is less than 4'-0" above finished grade per Figure AM109 and the deck is attached to the structure in accordance with Section AM104, lateral bracing is not required.

**AM109.1.2.** 4x4 wood knee braces may be provided on each column in both directions. The knee braces shall attach to each post at a point not less than 1/3 of the post length from the top of the post, and the braces shall be angled between 45 degrees and 60 degrees from the horizontal. Knee braces shall be bolted to the post and the girder with one 5/8 inch hot dipped galvanized bolt with nut and washer at both ends of the brace per Figure AM109.1

**AM109.1.3.** For freestanding decks without knee braces or diagonal bracing, lateral stability may be provided by embedding the post in accordance with Figure AM109.2 and the following:

Post size	Max. Tributary Area	Max. Post Height	Embedment Depth	Concrete Diameter
4x4	48 SF	4'-0"	2'-6"	1'-0"
6x6	120 SF	6'-0"	3'-6"	1'-8"

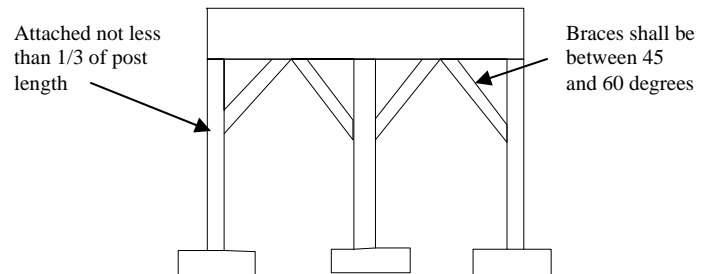


Less than 4' (decking to grade) and attached to structure no bracing required

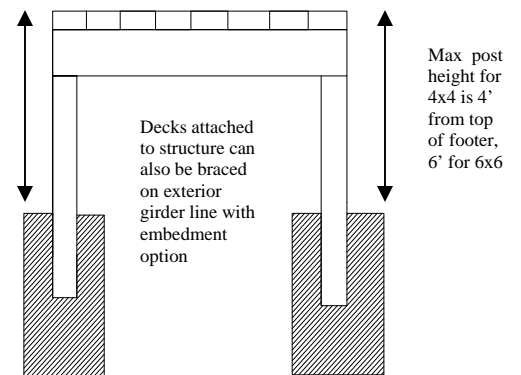
**Figure AM109**

Freestanding decks requiring bracing shall be installed in both directions off each post

Decks attached to structure require diagonal bracing only at outside girder line parallel with structure



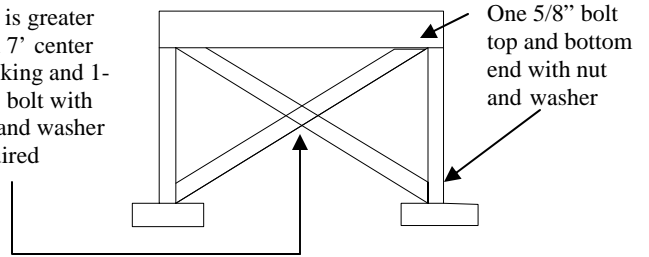
**Figure AM109.1**



**Figure AM109.2**

**AM109.1.4** 2x6 diagonal vertical cross bracing may be provided in two perpendicular directions for freestanding decks or parallel to the structure at the exterior column line for attached decks. The 2x6's shall be attached to the posts with one 5/8 inch hot dipped galvanized bolt with nut and washer at each end of each bracing member per Figure AM109.3.

If span between post is greater than 7' center blocking and 1-5/8" bolt with nut and washer required



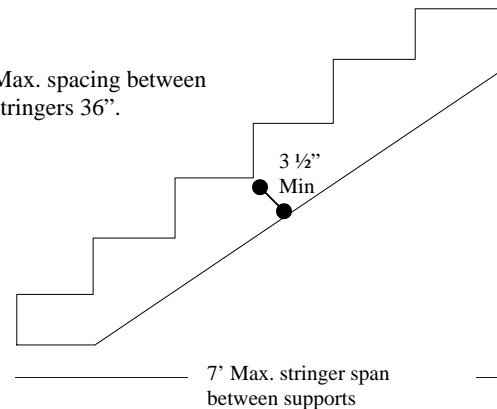
**Figure AM109.3**

**AM109.1.5** For embedment of piles in Coastal Regions, see Chapter 45.

**Section AM110**

**AM110.1 Stairs** shall be constructed per Figure AM110. Stringer spans shall be no greater than 7' span between supports. Spacing between stringers shall be based upon decking material used per AM107.1. Each Stringer shall have minimum 3 1/2" between step cut and back of stringer. All stringers supported at top on suspended headers shall be attached with 3/8" Galv bolts with nuts and washers.

Max. spacing between stringers 36".



**Figure AM110**

**Section AM111**

**AM111.1 Handrails, Guards and General.**

Deck handrails, guards and general construction shall be per Figure AM111.

**Guards** at a Minimum 36" required per R312.1 with 30" drop and opening limits per R312.2 (4" on vertical pickets, 6" on horizontal and ornamental guard rails), top rail and post to support 200lbs with infill to meet 50lbs per Table R301.5 and footnotes.

**Attachment** to structure based upon all cladding types but brick veneer per AM104.1.1, Brick veneer per AM104.1.2, Masonry ledge per AM104.1.3 or other per AM104.1.4.

**Rail posts** cannot exceed 7' o.c. spacing and shall be attached with 2-3/8" Galv bolts with nut & washer to outer bands.

**Stair handrail/Guard.** Height between 34"-38" per R311.5.6 & R312.1. Openings on side of stairs requiring guards shall not allow a sphere 4 3/8" to pass per R312.2 exception #2.

**Stairs treads and risers** per R311.5.3.1 (8 1/4" Max riser) & R311.5.3.2 (9" minimum tread depth). Stairways min 36" width per R311.5.1 (rail projections allowed).

**Riser openings.** Stairs with a 30" or more vertical rise must have solid risers or opening restricted to prevent a 4" sphere from passing per R311.5.3.3.

**Decking** per AM107 for #2 SYP and attached with 2-8d galv nails at each joist or approved screws. Other materials per mfg installation based upon joists o.c. spacing. Alternate material attached per mfg installation instructions.

**Deck post** per AM108

**Footers** per Table AM102.1. Minimum base of footers 12" below grade.

**Lateral Bracing** per AM 109. AM109.1.1 height required; AM109.1.2 knee bracing; AM109.1.3 freestanding embedment; AM109.1.4 diagonal bracing; AM109.1.5 Coastal embedment.

**Floor joist cantilevers** allowed per Table R502.3.3(1)

**Exterior Girder Clear Spans**

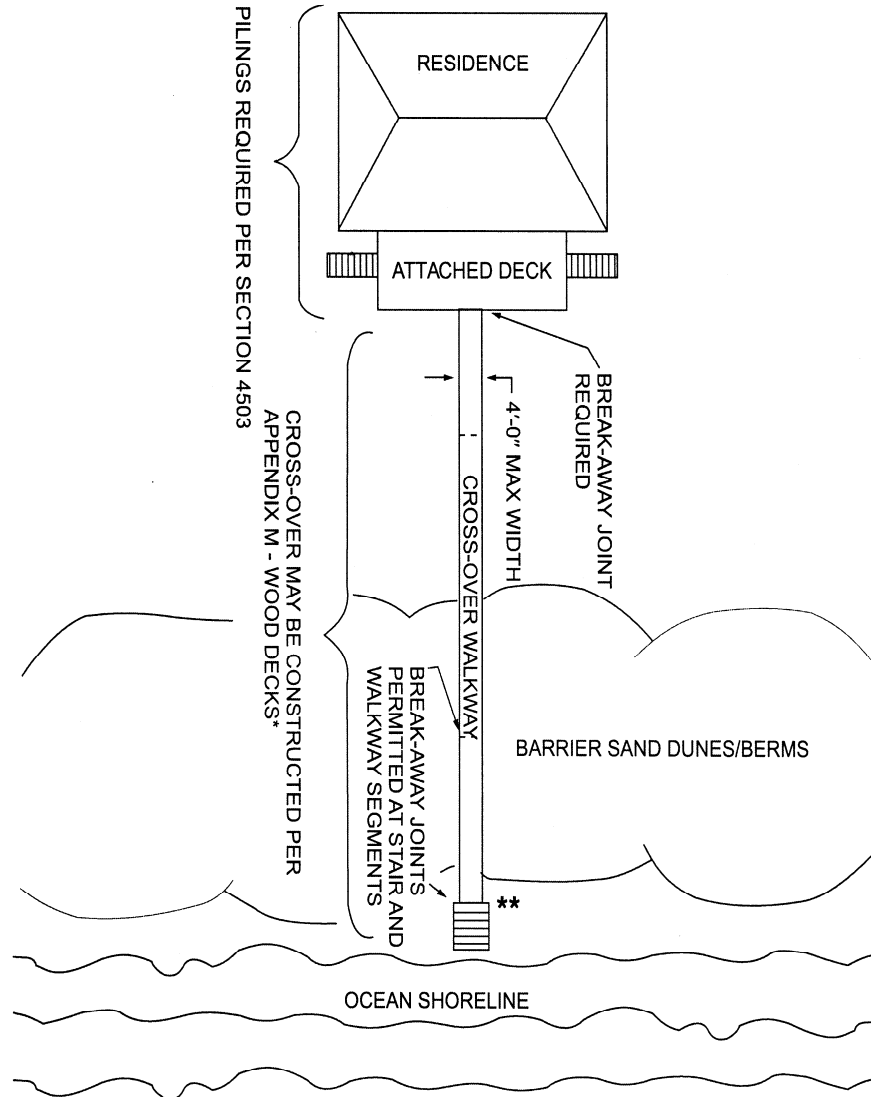
Deck Width	Nominal Lumber Size			
	2x6	2x8	2x10	2x12
20' (2ply)	3-11	5-0	6-1	7-1
20' (3ply)	----	6-3	7-7	8-10
20' (4ply)	----	----	8-9	10-2

\*Partial reproduction of Table R502.5(1) at 30 ground snow load and roof ceiling and 1 clear span floor. Deck width is 20' or less measured in the direction of joists span. Splices in plies must break over bearing supports.

**Figure AM111**

Figure AM111.1

WALKWAYS OVER DUNES OR BERMS IN OCEAN HAZARD AREAS



For SI: 1 inch = 25.4, 1 foot = 304.8 mm.

\* Posts for walkways over dunes or berms shall be embedded a minimum depth of 4'-0" and post heights shall be limited to 5'-0" above grade for 4 x 4 and 10' - 0" above grade for 6 x 6. Walkways or portions of walkways over 4'-0" in width, shall comply with the requirements of Chapters 44 and 45. Maximum walkway surface height is 30" above grade without guard rails.

\*\*Walkway stair runs can be greater than 12' without a landing.